

Specifications

SMART Board® MX055-V2 interactive display

Model SBID-MX055-V2

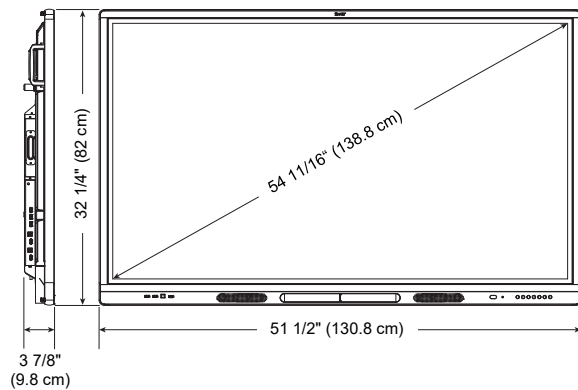
Overview

The SMART Board® MX (V2) is a great value for schools that need an interactive display on a budget. Available in 55", 65", 75", and 86" sizes—all in 4K Ultra HD resolution—with SMART Learning Suite, and a standard three-year warranty included.



Dimensions and weights¹

Dimensions



Weight

75 lb. 12 oz. (34.4 kg)

Active touch area

49 3/16" × 28 3/8" (125 cm × 72 cm)

Active image area

47 5/8" × 26 3/4" (121 cm × 68 cm)

Shipping dimensions (including pallet)²

56" W × 35 5/8" H × 9 3/8" D
(142.3 cm × 90.4 cm × 23.5 cm)

Shipping weight (including pallet)

113 lb. (51.1 kg)



As an ENERGY STAR® certified signage display, the SMART Board MX055-V2 interactive display meets strict energy efficiency guidelines set by the U.S. Environmental Protection Agency and Department of Energy.

¹All dimensions ± 1/8" (0.3 cm). All weights ± 2 lb. (0.9 kg).

²Product ships upright.

Hardware

Interaction

Touch technology	HyPr Touch™ with Advanced IR
Multitouch capabilities	Up to 20 simultaneous touch, writing, or erase points ^{3 4}
Object Awareness™	Behavior adjusts automatically to the tool or object you're using, whether it's a pen, finger or palm.
Positioning accuracy	<2 mm

Display

Type	LED backlit LCD (A grade)
Aspect ratio	16:9
Resolution	4K UHD (3840 × 2160)
Horizontal frequency	31 Hz–140 kHz
Vertical frequency	59 Hz–70 Hz
Brightness (maximum)	350 cd/m ²
Refresh frequency	60 Hz
Pixel clock (maximum)	590 MHz
Pixel dimensions	0.37 mm
Viewing angle	178°
Response time (typical)	≤8 ms

Ambient light sensor

Yes

Bluetooth®

Bluetooth 4.2 dual mode (backwards compatible with Bluetooth 2.1 + EDR)

Audio

15 W integrated speakers (×2)

Wireless

IEEE 802.11a/b/g/n/ac with 2 × 2 MIMO (both 2.4 and 5 GHz bands) supporting WEP, WPA, WPA2 PSK, and 802.1X EAP authentication protocols

Included cables and accessories

Country-specific power cable
 16' 5" (5 m) USB cable
 Wall mount bracket kit
 Pen (×2)
 Antenna (×2)
 IR remote control (with two AAA batteries)

Mounting holes

For a standard VESA® 400 mm × 400 mm mounting plate with M8 screws

Mounting bracket depth

Minimum clearance depth of 1 1/4" (3 cm) for all components on the back of the interactive display for airflow

³Requires the latest version of SMART Product Drivers. Some applications might not support all touch points.

⁴Chrome OS is limited to 10 simultaneous touches. Pens and eraser are not supported.

Software

Included software	iQ Android-based embedded computing SMART Ink® and SMART Product Drivers SMART Notebook® basic version Bonus one-year subscription to SMART Learning Suite (including SMART Notebook software)
--------------------------	---

Other software (sold separately)

SMART Remote Management	Cloud-based device management software for remotely maintaining, supporting, controlling, and securing the display and your other devices. Comes installed on the display and can be used as a 30-day trial before activation. See SMART Remote Management for more information.
-------------------------	--

Connectors

Side connector panel	1	Accessory slot (for 60W OPS devices)
	1	HDMI® 2.0 out with HDCP 2.2 support ⁵
	1	USB 2.0 Type-A (for service use only)
	1	USB 3.0 Type-A (for currently selected input source)
	HDMI 1	
	1	HDMI 2.0 in with HDCP 1.4 and HDCP 2.2 support
	1	USB 3.0 Type-B (for touch)
	HDMI 2	
	1	HDMI 2.0 with HDCP 1.4 and HDCP 2.2 support
	1	USB 3.0 Type-B (for touch)
Front connector panel	1	USB 2.0 Type-A (for the display)
	1	USB 2.0 Type-A (for currently selected input source)
	HDMI 3	
	1	HDMI 2.0 in with HDCP 1.4 and HDCP 2.2 support
	1	USB 2.0 Type-B (for touch)
Bottom connector panel	1	RS-232
	2	RJ45
	1	S/PDIF out (fixed)
	1	Stereo 3.5 mm out (variable)
	VGA 1	
	1	Stereo 3.5 mm in (for VGA in)
	1	VGA in
	1	USB 3.0 Type-B (for touch)

⁵HDCP is always enabled. Content is shown in 480p resolution if the external display doesn't support HDCP.

Installation requirements

Interactive display See the *SMART Board MX (V2) and MX (V2) Pro series interactive displays installation and maintenance guide* (smarttech.com/kb/171555)

! IMPORTANT

The display needs an internet connection for downloading and installing important updates. Ask the network administrator to configure the network correctly for the iQ experience. For more information about network configuration, see [Connecting a SMART display with the iQ experience to a network](#).

Room computers and guest laptops

General requirements See [SMART Notebook software release notes](#)

4K UHD Video card that can support 3840 × 2160 resolution at 60 Hz
See [Minimum requirements for Ultra High Definition or 4K on your interactive flat panel](#)

Cable requirements

HDMI Maximum length: 23' (7 m)

NOTES

- A certified Premium High Speed HDMI Cable is required for a display resolution of 3840 × 2160 at more than 30 Hz (such as 50 or 60 Hz).
- The performance of cables longer than 23' (7 m) is highly dependent on the cable's quality.

USB 2.0 USB 2.0 certified
Hi-Speed (480 Mbps) support
Maximum length: 16' (5 m)

USB 3.0 USB 3.0 certified
SuperSpeed (5 Gbps) support
Maximum length: 9' (3 m)

NOTES

- SMART supports only installations that use directly connected video and USB cables, AC-powered extenders, or USB extenders purchased from SMART.
- You might be able to use higher-grade cables that are longer than specified. If you have problems with such a cable or an extender of any type, test the connection with a shorter cable before contacting SMART Support.

Important Using cables that exceed these maximum lengths can produce unexpected results, such as degraded picture quality or USB connectivity. Refer to *Installation best practices for SMART products* (smarttech.com/kb/171035) for comprehensive information about cables and extensions for SMART hardware products.

Storage and operating requirements

Power requirements 100V to 240V AC, 50 Hz to 60 Hz

Standalone interactive display power consumption at 77°F (25°C)

Standby mode <0.5 W

Normal operating
(out-of-box) 98 W

Operating temperature 41–95°F (5–35°C)

Storage temperature -4–140°F (-20–60°C)

Humidity 5–80% relative humidity, non-condensing

Certification and compliance (partial)

U.S. / Canada UL, FCC, ISED, CONEG Packaging, Proposition 65

EU / EEA / EFTA / UK CE, UKCA, LVD, CB, EMCD, RED, REACH, RoHS, Battery, WEEE, Packaging, POP

Australia / New Zealand RCM

Performance standards ENERGY STAR®, HDMI, USB

Other Contact your sales representative

Purchasing information

Order number

SBID-MX055-V2 SMART Board MX055-V2 interactive display

Optional accessories

Other See [smarttech.com/accessories](https://www.smarttech.com/accessories)

Warranty information

SMART Assure warranty Includes advanced hardware replacement and access to onsite support. Terms and conditions vary by region. Contact your local reseller or distributor for information and visit [smarttech.com/warranty](https://www.smarttech.com/warranty).

[smarttech.com/support](https://www.smarttech.com/support)
[smarttech.com/contactsupport](https://www.smarttech.com/contactsupport)

© 2020 SMART Technologies ULC. All rights reserved. SMART Board, SMART Notebook, Pen ID, HyPr Touch, Object Awareness, Silktouch, smarttech, the SMART logo and all SMART taglines are trademarks or registered trademarks of SMART Technologies ULC in the U.S. and/or other countries. The Bluetooth word mark is owned by the Bluetooth SIG, Inc. and any use of such marks by SMART Technologies ULC is under license. The Adopted Trademarks HDMI, HDMI High-Definition Multimedia Interface, and the HDMI Logo are trademarks or registered trademarks of HDMI Licensing Administrator, Inc. in the United States and other countries. All other third-party product and company names may be trademarks of their respective owners. This product and/or use thereof is covered by one or more of the following U.S. patents: www.smarttech.com/patents. Contents are subject to change without notice. November 18, 2020.